

8 easy steps to fit a ...Impressions collection W655/W760 Enclosure

Fitting Instructions cover both half height or full height panels

1. Marking the wall

Place the jamb together with full height wall channel onto the side of the tray.

Position jamb approximately 55mm from the tray edge, as Fig 1.1. Make sure it is vertical as Fig 1.2 and mark the wall alongside the wall channel as Fig 1.3.

2. Drilling the wall and fixing jamb panel

Remove channel from jamb and place on wall, ensure the slots are on the inside as Fig 1.4.

Using a pencil mark through the slots and drill the wall 50mm deep (2") using a 5.5mm drill, as Fig 2.1 & 2.2. Apply a film of silicone sealant to the inside edge of the wall channel.

Secure to wall with wall plugs and 1 1/2" x No 8 screws.

3. Fitting corner piece

Use the template provided (select left or right hand template to suit the shower tray) to mark the position of the male corner piece on the tray prior to drilling as Fig 3.1. (Note: Align the template with the edge step as Fig 3.1. It may help to tape the template to the tray to stop it moving). Using the drill provided drill a pilot hole into the tray as Fig 3.2 before screwing in place using (2 x 2" No 6) screws supplied. Apply a bead of silicone sealant to bottom surface of corner piece and screw into place as Fig 3.3.

4. Fit jamb panel/corner section

Push the panel into the wall channel. Fasten loosely with self tapping screws, slot covers and shakeproof washers provided as Fig 4.1. Screws are fully tightened later. Slide the curved corner section onto the panel and over the fixed corner block as Fig 4.3. Make sure the grub screw (at bottom of corner section) fastens securely to corner block using Allen key provided as Fig 4.4. Apply a bead of silicone sealant to the inner bottom surface of the corner section. Fix to panels with screws, slot covers and shakeproof washers provided as Fig 4.2.

5. Fitting door/door wall channel

Place door with wall channel onto tray with door in closed position ensuring bottom seal is in contact with the tray as Fig 5.1. Ensure the wall channel is flat against the wall and to the extreme left of the tray slot. This is for a left hand tray. It is on the right for a right hand tray. Check the wall channel is vertical as Fig 5.1 and mark the wall alongside the channel as Fig 5.2.

Remove door from the tray and slide off the wall channel. The slots on the wall channel should be facing the showering area. Mark the wall and drill. Fix to wall as in step 1. Fix door receiver into opposite corner section. Refit the door. Close the door and check that the magnetic strips in the receiver make contact. Magnets hold the door closed. Adjust receiver if necessary. Check the door opens and closes properly. When satisfied fully tighten all screws, slot covers and shakeproof washers.

6. Fitting top rail

The black cover is on the bottom edge. Before fastening in place insert two nuts into the top span. This is for fixing inner brace/curtain rail as Fig 6.1*. Fit to wall channel and corner section using shakeproof washers and self tapping screws as Fig 6.2. Repeat for top rail above door.

Note: Always use one of the black slot covers supplied between screw and frame, except on top span where shakeproof washer MUST be used as Fig 8.1.

7. Fit channel covers/final fix

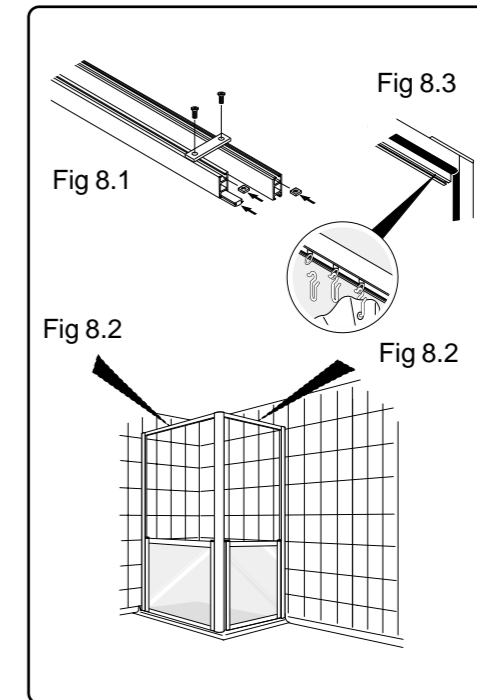
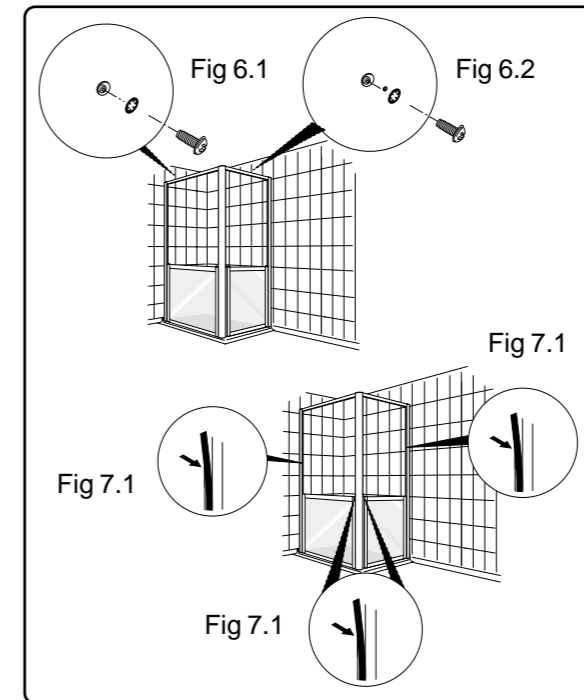
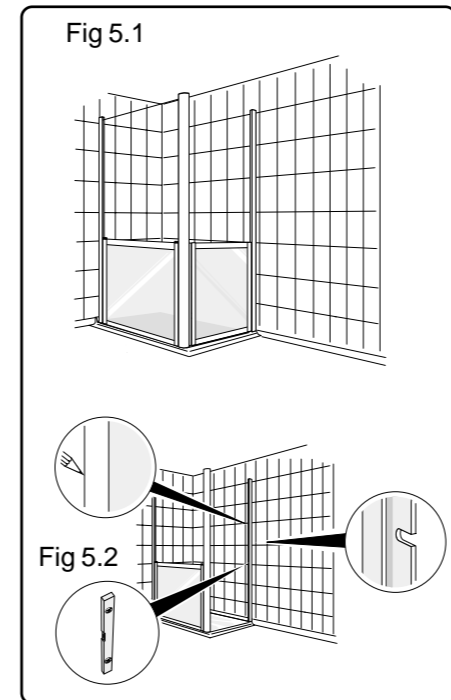
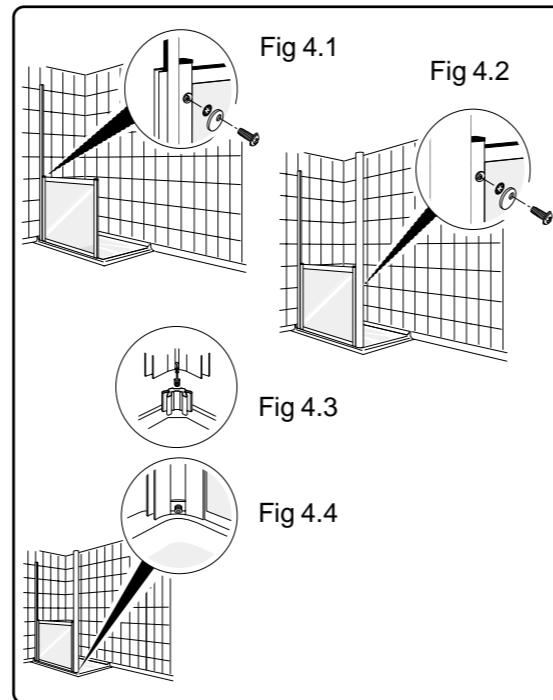
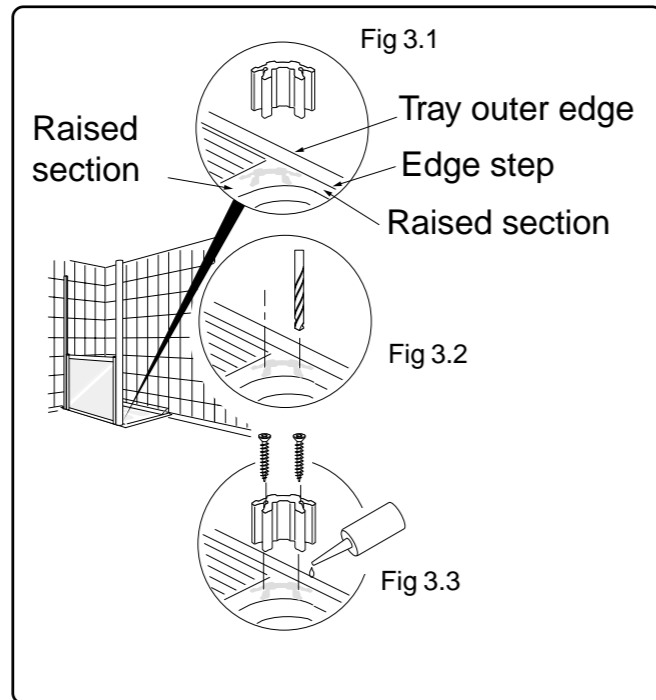
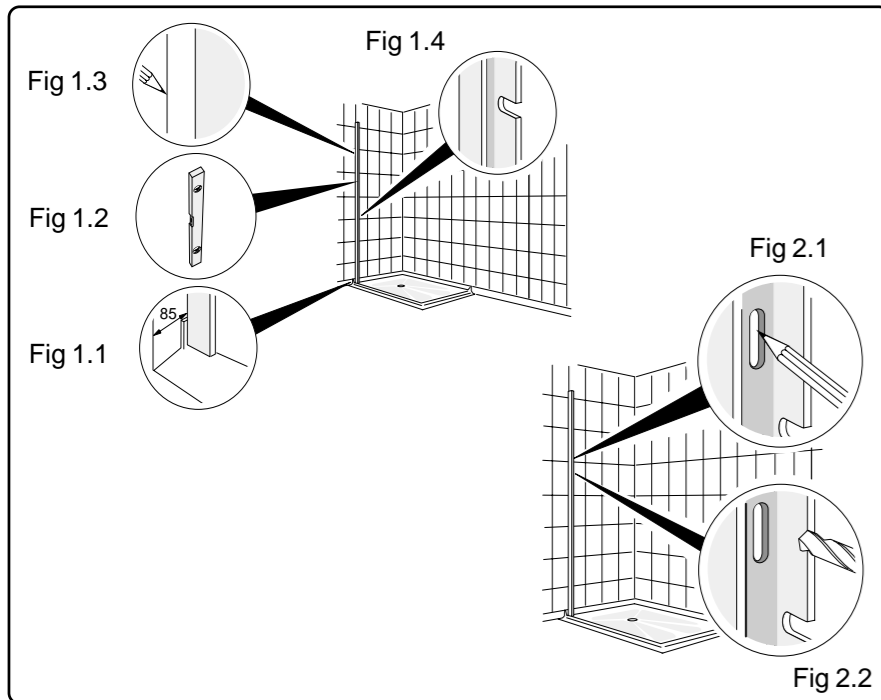
Note: Not applicable if using full height enclosure. Insert the four black channel covers as Fig 7.1. Check enclosure is square and vertical. Check door opens and closes correctly. Re-adjust locking screws if necessary.

Note: There are 2 small holes on each upright section (between top and bottom slots). Using drill provided drill through inner section and secure with stainless steel pan head screws provided.

8. Fit inner brace or curtain rail*

Load up with curtain hooks glides and end stops before fixing*. Use the four curtain rail brackets and fix using 4 x M5 x 6mm screws and nuts as Fig 8.1. Position brackets evenly over the 2 top spans as Fig 8.2. Fix using 4 x M5 screws to attach to nuts in top rail. Attach shower curtain to hooks on rail as Fig 8.3*

* curtain rail applies to half height panels only.



If you require additional help

6 Wedgwood Road Bicester Oxon OX26 4UL
Tel: 01869 246470 Fax: 01869 247214

Northern Ireland
5 Balloo Way, Balloo Industrial Estate, Bangor,
Co Down BT19 7QZ
Tel: 028 9145 0497 Fax: 028 9127 0046

Scottish Office
Unit 16 Evans Business Centre
68-74 Queen Elizabeth Avenue
Hillington Industrial Estate Glasgow G52 4NQ
Tel: 01869 246470 Fax: 01869 365588

Chiltern
Invadex
Solutions for Living

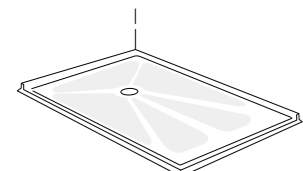
7 easy steps to fit a ...Impressions collection W655/W760 Tray

Installation Notes:

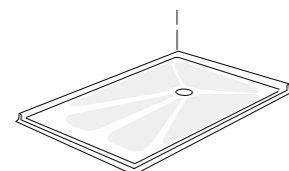
Safety note: Please wear protective gloves when handling trays.

Consult your client for the position/height of the shower mixer valve/heater and install inlet water and/or electrical services.

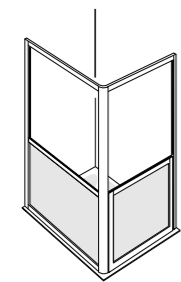
During assembly protect shower base from scuffing using a piece of cardboard.



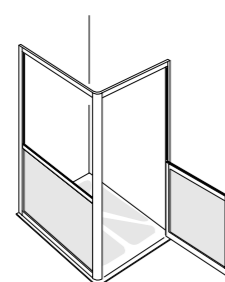
Left Handed Impressions collection W655/W760



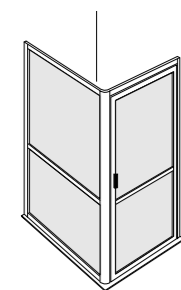
Right Handed Impressions collection W655/W760



Left hand shower tray shown with half height door and enclosure.



Left hand shower tray shown with full height door and enclosure.



1. Floor removal

Preparing a wooden floor
Mark dimensions (from face of plaster) as Fig 1.1. Cut out floorboards as Fig 2.1. Trim any obstructions such as floor joists in area around waste trap and pipe.

Preparing a concrete floor
Break out screed or concrete to 20mm (3/4") depth to dimensions in Fig 2.2. You will also need to remove an area to a depth of 95mm x 125mm diameter to take the waste trap.

Note: To take up the space underneath the tray (to stop it from flexing) set the tray (showering area only) on a 3:1 dry sand and cement mix. Place tray on top for imprint, remove and position drain. Sprinkle surface with water, place tray on top and hold until secure. Always ensure the tray is level, as shown in Fig 3.1.

Fig 1.1 W760

Fig 2.1

Fig 2.2

Fig 1.1 W655

2. Marking plaster

Place the shower tray into the corner and ensure that the shower base is level along its width and length, as Fig 3.1.

Mark the plaster above the tiling lip, as Fig 3.2 and take the tray away.

Important:
Tiles at A and B must be level and vertical to the tray to take the wall channels.

Fig 3.1

Fig 3.2

3. Remove plaster /waste connection

Remove the plaster below the mark you just made to a depth suitable to take the tiling lip, as Fig 3.3.

This will vary according to the thickness of the tile to be used, as Fig 3.4.

Decide on direction of waste outlet and break out wall if required, as Fig 4.1.

If it is a solid floor, break out a channel to take the waste pipe to the stack.

NOTE: Always ensure there is adequate fall of waste pipe to stack.

Fig 3.3

Fig 3.4

4. Checking level

Replace the shower tray in position. Check level as Fig 3.1. Insert packing strips to level if required.

Assemble waste trap as shown in Fig 5.1. Coat trap body and underside of shower base above and below seal with silicone sealant. Connect waste pipe to stack outlet ready for final fixing of shower tray. Drill and countersink the outer edges of the tiling lip at the points shown in Fig 6.1. Mark and plug the walls.

Fig 4.1

Fig 5.1

5. Final tray fixing

Always ensure the showerbase edges are flat and level before fixing. Fix outer edges of tiling lips securely with 1 1/2" x 8 Pozi-Drive zinc plated countersunk screws provided.

Fig 6.1

Fig 6.2

6. Making good

Cut to length & mitre aluminium edging strip as Fig 6.2 using a hacksaw.

NOTE: Aluminium strip must butt up to edge of tray as shown in Fig 6.3.

Drill and countersink front edge of tray and aluminium edging strip, as Fig 6.4. White cover strip should be fitted after floor covering has been laid. Check to make sure the tray is level before final fixing.

Fig 6.3

Fig 6.4

7. Before tiling

Ensure any plumbing and electrical work has been completed. Make good plaster work. Tile down to the angle of the tiling lip using waterproof adhesive and grout.

Anti-slip flooring should finish over the aluminium edging strip as Fig 6.5. Apply a bead of mastic to tray edge and edging strip as shown in Fig 7.1. Finally knock the plastic trim cover into place, taking care to lock the components together as Fig 7.2.

Fig 6.5

Fig 7.1

Fig 7.2